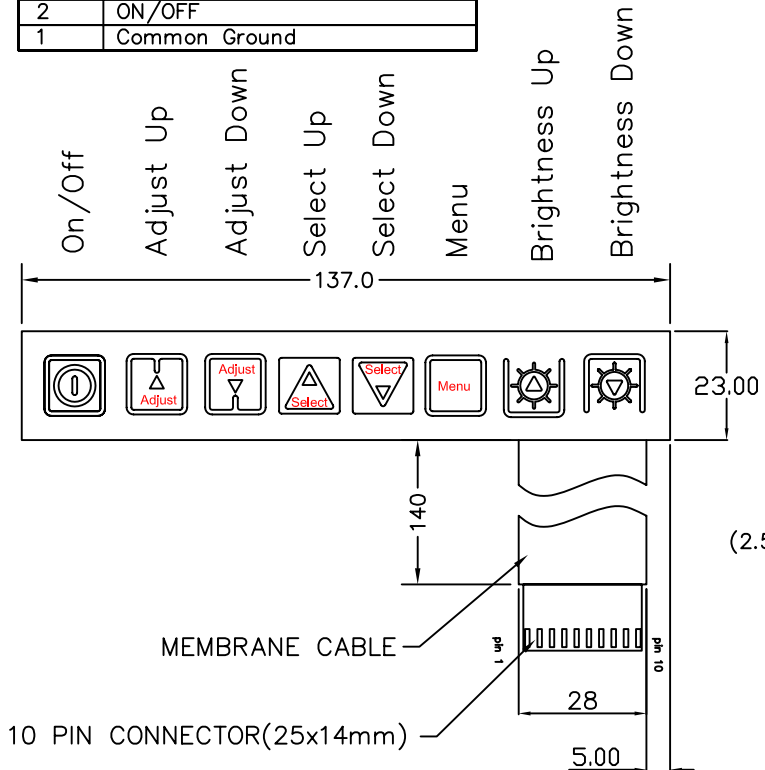


8 button membrane SW to OSD Control Board CN2 Pin Assignment	
pin #	description
10	Common Ground
9	Select Up
8	Select Down
7	Adjust Up/Increase/Right
6	Adjust Down/Decrease/Left
5	Menu
4	Brightness Down
3	Brightness Up
2	ON/OFF
1	Common Ground

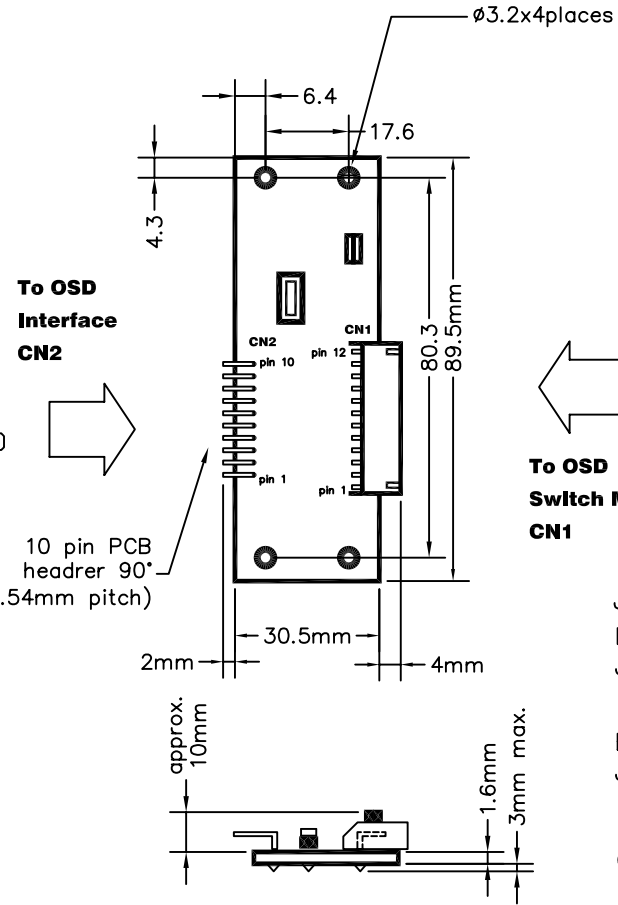
Membrane interface board P/N 416100120-3 can operate under 12VDC/24VDC power input environment.

PCB OSD Control Board CN1 Pin Assignment	
pin #	description
12	no connection
11	OSD Select UP
10	OSD Select Down
9	OSD Plus/Right
8	OSD Minus/Left
7	OSD Menu
6	Ground
5	Backlight Brightness VR pin B
4	Backlight Brightness VR pin WIP
3	Backlight Brightness VR pin A
2	Power Switch B
1	Power Switch A



FRONT VIEW

Membrane Switch:
P/N:356301022-3



Membrane Interface Board:
P/N:416100120-3

Jumper setting on OSD interface

DEFAULT POWER

JP1 : 1-2 closed - OFF
2-3 closed - ON

BRIGHTNESS INC/DEC SWITCH

JP2 : 1-3 & 2-4 closed - SWAP
1-2 & 3-4 closed - NORMAL

OSD cable:
P/N:426122200-3 (12/12 WAY), 150mm

<p>Title: KIT 67134-3 OSD KIT</p> <p>NOTE: All dimensions are in mm</p>	<p>Date: 16 NOV 12</p> <p>Kit 67134-3 OSD KIT</p>
---	--